

# FLOATING SHELVES

# Cliffhanger

**SIMPLE ELEGANT STRONG**

## INSTALLATION INSTRUCTIONS

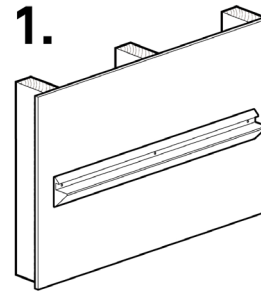
### FLOATING TIMBER SHELF

Cliffhanger Floating Shelves

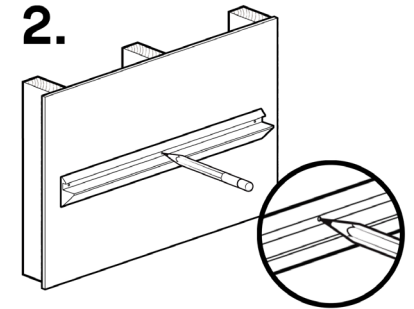
PH: 0508 743 584

e: cliffhangershelving@gmail.com

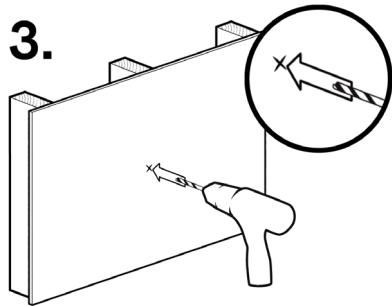
[www.floatingshelves.co.nz](http://www.floatingshelves.co.nz)



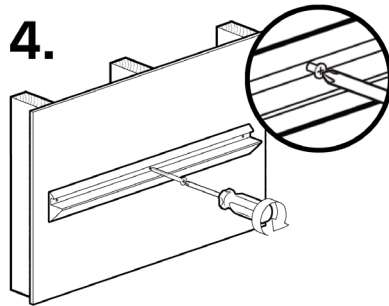
**1. LOCATE THE DESIRED POSITION FOR YOUR SHELF**



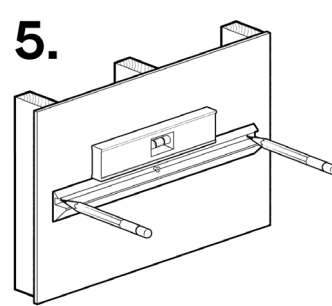
**2. • HOLD BRACKET IN POSITION  
• MARK THE WALL (OR STUD) THROUGH CENTERMOST HOLE  
• SET BRACKET ASIDE**



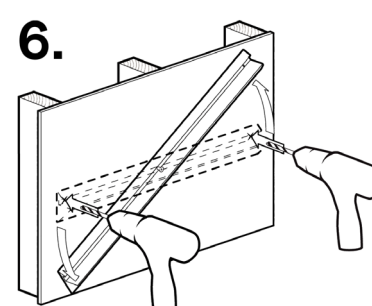
**3. DRILL THE MARKED HOLE**



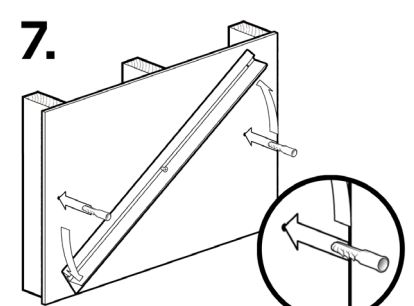
**4. FIX BRACKET LOOSELY TO WALL WITH SUPPLIED SCREW**



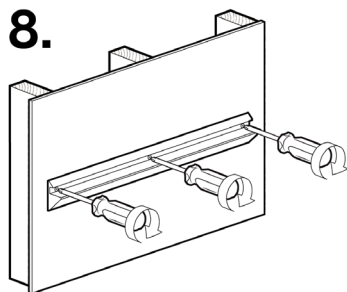
**5. • LEVEL THE BRACKET WITH SPIRIT LEVEL IF AVAILABLE (SMARTPHONES OFTEN HAVE LEVELING APPS)  
• MARK THE REMAINING HOLES**



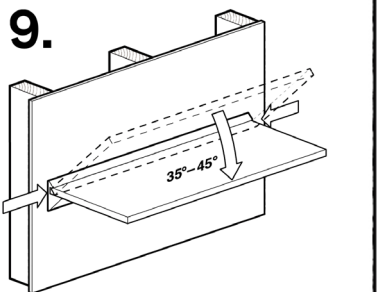
**6. • TILT BRACKET  
• DRILL REMAINING HOLES**



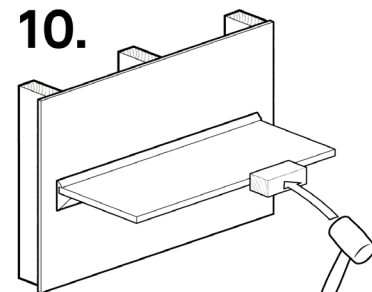
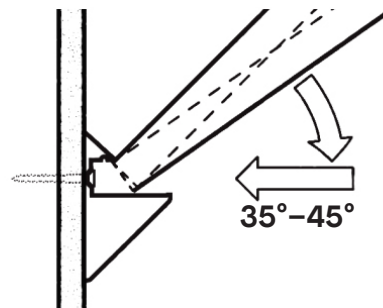
**7. FOR PLASTERBOARD WALLS, USE SUPPLIED WALL ANCHORS (NO ANCHOR REQUIRED FOR SOLID TIMBER)**



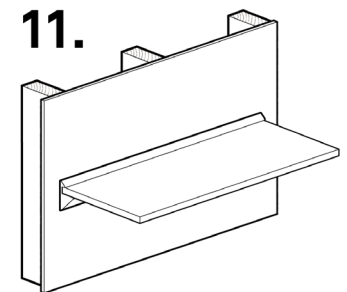
**8. • RE-LEVEL BRACKET  
• INSERT SCREWS INTO REMAINING HOLES  
• FIX ALL SCREWS SECURELY**



**9. EASE TOP EDGE OF SHELF UNDER TOP LIP OF BRACKET AT 35°-45° ANGLE (WHILE ENSURING THE SHELF-ENDS LINE UP SATISFACTORILY WITH THE BRACKET)**



**10. IMPORTANT: FULLY LOCATE THE SHELF IN THE BACK OF BRACKET SLOT (DEPENDING ON TOLERANCE FACTORS, THIS MAY REQUIRE TAPPING 'HOME' WITH A MALLETT & BLOCK)**



**11. SHELF IS NOW READY FOR USE**